

- Uni-directional
- Ring luminant
- Semi-rigid or gooseneck

This series of microphones has been designed to combine high audio performance with reasonable cost for conference applications where broadcast feeds may be required, but there is a large numbers of microphones in the system.

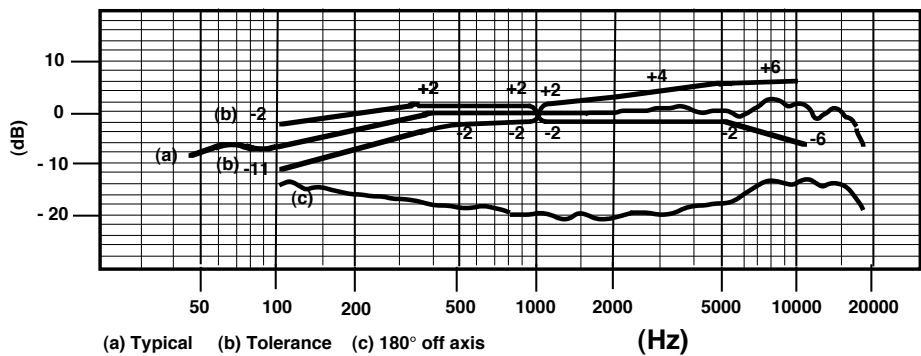
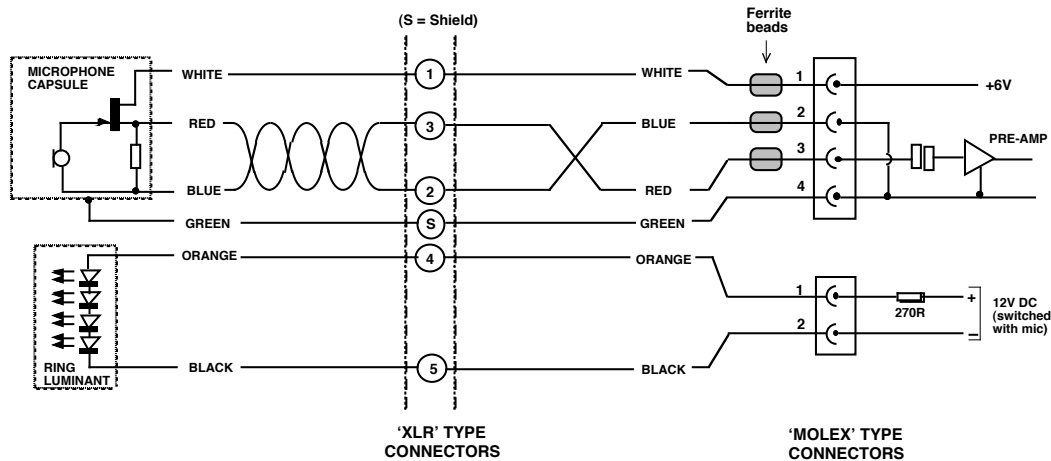
The AM-2 is the standard microphone which is fitted to all Auditel portable and fixed delegate units. It has a semi-rigid stem with a flexible section at the base to permit height adjustment and to facilitate storage.

The head incorporates a red LED ring luminant which is illuminated when the microphone is active. This indicates to the user that the microphone is open and helps to identify the speaker in a large conference.

The microphone cartridge is a uni-directional electret condenser type with an unbalanced output requiring a

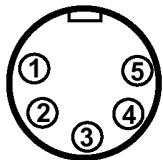
minimum load impedance of 1K ohms. It uses 3 single conductors and a ground return via the metal stem, with a power supply in the range 1.5 - 9.0 volts.

The DC power supply for the LED ring luminant is provided separately by two single conductors and is switched automatically by the delegate unit electronics in parallel with the MIC ON indicator on the unit. The standard version has a hollow bolt for direct fixing to a panel, but an alternative version with a 5-pin (M) XLR type connector (AM-2X) is available for custom applications and for use with remote fixing type delegate units. The microphone is also available with a fully flexible (gooseneck) stem (length 30cm). This either has a fixing bolt (AM-2G) or a 5-pin XLR type connector (AM-2GX). In addition, there is a special version with a 43cm gooseneck stem (AM-2GS43).



Microphone System Controls

CONNECTIONS (VERSIONS WITH XLR)



5-PIN XLR

- 1: +6 volts (power)
- 2: audio (low)
- 3: audio (high)
- 4: luminant (+)
- 5: luminant (-)
- S: ground

Technical Data

Type	electret condenser uni-directional
Impedance	1000 ohms
Sensitivity	-63dB \pm 3dB at 1kHz
Rear attenuation	-20dB at 1kHz
Freq. response	100Hz - 15kHz (-3dB)
S/N re 1 Pa at 1 kHz	74dB (A wtg)
Distortion at 1 kHz	less than 1%

NOTE; Luminant requires a current of 10-15 mA, and voltage drop is about 8 volts. A current limiting resistor is required - do not connect directly to a DC source.

Architects and Engineers specification

The microphone shall be an electret condenser type with a cardioid polar pattern and a red LED ring luminant on the head which is illuminated when the microphone is active. It shall be on a semi-rigid (or flexible) stem with a hollow bolt panel fixing (or a 5-pin XLR type connector). The sensitivity shall be at least -63dB \pm 3dB at 1kHz, frequency response 125Hz - 15kHz (-3dB), with rear attenuation at least -20dB at 1 kHz. The S/N ratio shall be at least 74dB re 1Pa at 1kHz (A weighting), and distortion not more 1% at 1 kHz. The microphone shall have 3-conductor connections using an external 1.5-9.0 volts power supply, with a separate 10-15mA current limited power source for the ring luminant.

We reserve the right to vary the specification without notice in the interest of product improvement



conference and interpretation systems

Unit 2, Davenport Vernon Trading Estate, Cock Lane, High Wycombe, Bucks HP13 7DE, UK
 Tel: +44(0)1494 465 335 Fax: +44(0)1494 525 127 Web: www.auditel.ltd.uk Email: enquire@auditel.ltd.uk